



VILLA  
SISTEMI  
MEDICALI

Dental  
Line

# ENDOGRAPH<sup>dc</sup>

A new era for intraoral units





Endograph DC opens a new era for intraoral units: a new era characterized by peerless convenience, easiness of use and innovative design.

A model of state-of-the-art technology, thanks to its **high frequency generator** coupled with the mains-fluctuations compensating timer, Endograph DC makes a step further in the direction of user friendliness: its beautiful, shield-shaped control unit integrates a **large area display** showing the parameters efficiently organized in working areas and, for the first time, cleverly **combining icons and tooth name**. This assures optimal visibility all over the operating process, helping the user to limit the attention to be paid to system's settings, to better concentrate on the operation itself.

Designed with the dentist's **workflow in mind**, Endograph DC comes to the user's aid also at the moment of the exposure: the availability of a **wireless command** allows to forget the limitations of a fixed activation switch, thus representing a significant advantage, particularly appreciated during full-mouth series.

Thanks to its **huge range of configurations**, either fixed or mobile, Endograph DC can be installed in any clinical environment and the **standard availability of preset settings** for films, Photostimulable Phosphor Plates (PSP), or Digital Detectors, allows the use with any receptor, from any manufacturer.



**Hi-frequency generator**, for shorter exposures and reduced dose



**Wireless X-ray pushbutton**, available for ultimate user convenience



**Graphical user interface**, for the easiest system's setting



**Multilingual main screen**, for an effective communication with any patient



**0.4 mm focal spot**, contributing to obtain sharper images than intraorals with higher focal spot value



**Contrast/brightness regulation**, to customize completely the display's layout



**Kilovoltage selection**, leading to more than 100 possible combinations of technique factors



**Manual command mode**, to meet any possible user need



**Standard dose visualization**, to comply even with the strictest regulations



**Preset anatomic programs**, to properly cover any patient size



**Predefined tooth selection**, allowing the user to rely on our clinical application experience



**Digital sensor mode**, reporting specific settings even for the latest intraoral sensors



**Phosphor mode**, dedicated to users of dental CR plates



**Film mode**, showing appropriate factors for traditional film users



**Long cone mode**, adapting exposure times in case of 30cm cone use



**Automatic sleeping function**, to always grant minimal power consumption



**External timer kit**, allowing the installation of a unit timer out of the operatory

## Enjoy a masterpiece of genuine Italian design

No doubt that Endograph DC catches the attention with its eye capturing design, stylishly combining curved and straight surfaces: the result is a product differing from competition and perceived to characterize your operator. 100% designed and manufactured in Italy, Endograph DC grants optimal quality and reliability, as it can be seen from the care even for the smallest details: the glossy painting of the parts for the best cleaning, the rubber insertion on the tubehead support for an optimized handling, the arm entirely in aluminium for a maximized stability.



## X-ray button to be cabled inside or outside the operator? Take it wireless!

Endograph DC goes beyond the need of cabling an activation switch somewhere in the practice, as the availability of a wireless control makes possible the exposure with a convenience unthinkable for cabled buttons.

Should the user prefer, a remote timer can be mounted as well out of the operator, to combine settings and exposure out of the patient area.



## Feel the innovation of a breakthrough user interface

Bored about conventional intraoral units, interacting with users just with a small display and a few of LEDs? Endograph DC stands out from them completely, thanks to the full-size LCD display being one of the most distinguishing parts of the machine.

It includes, for the first time, both icons as well as tooth extended descriptions, to maximize visibility and communication with patients; additionally, the levels of brightness and contrast can be adjusted, as the positive/negative ratio and the language of the principal user interface.



## Find easily the version best matching your practice

Endograph DC matches any practice, as it is available with 3 different sizes of extension arms that can be adapted to virtually any room. Upon request, Endograph DC can come also as a mobile unit mounted on trolley, particularly indicated in emergency contexts.

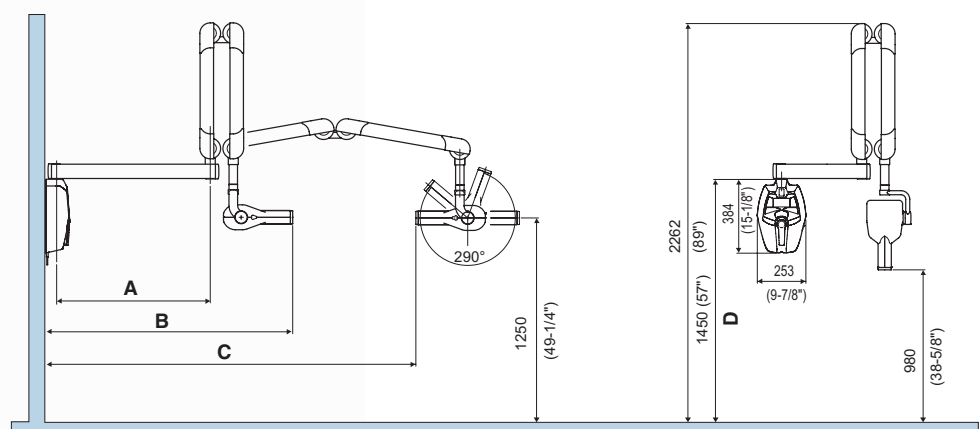
**Accessories:** 30 cm collimator cone extension, 35x45mm - 25x35mm - 20x30mm collimators, external cabling kit.

### Technical data

Power supply	220-240V $\pm 10\%$ - 50/60 Hz; 110-120V $\pm 10\%$ - 50/60 Hz
X-ray tubehead	DC hi-frequency, 60-65-70 kV, 6 mA
Focal spot	0.4 mm (IEC 336)
Leakage radiation	< 0.25 mGy/h @ 1m
Exposure times	0.01s to 2s in 36 steps
Anatomic programs	882 pre-set times

### Dimensional data

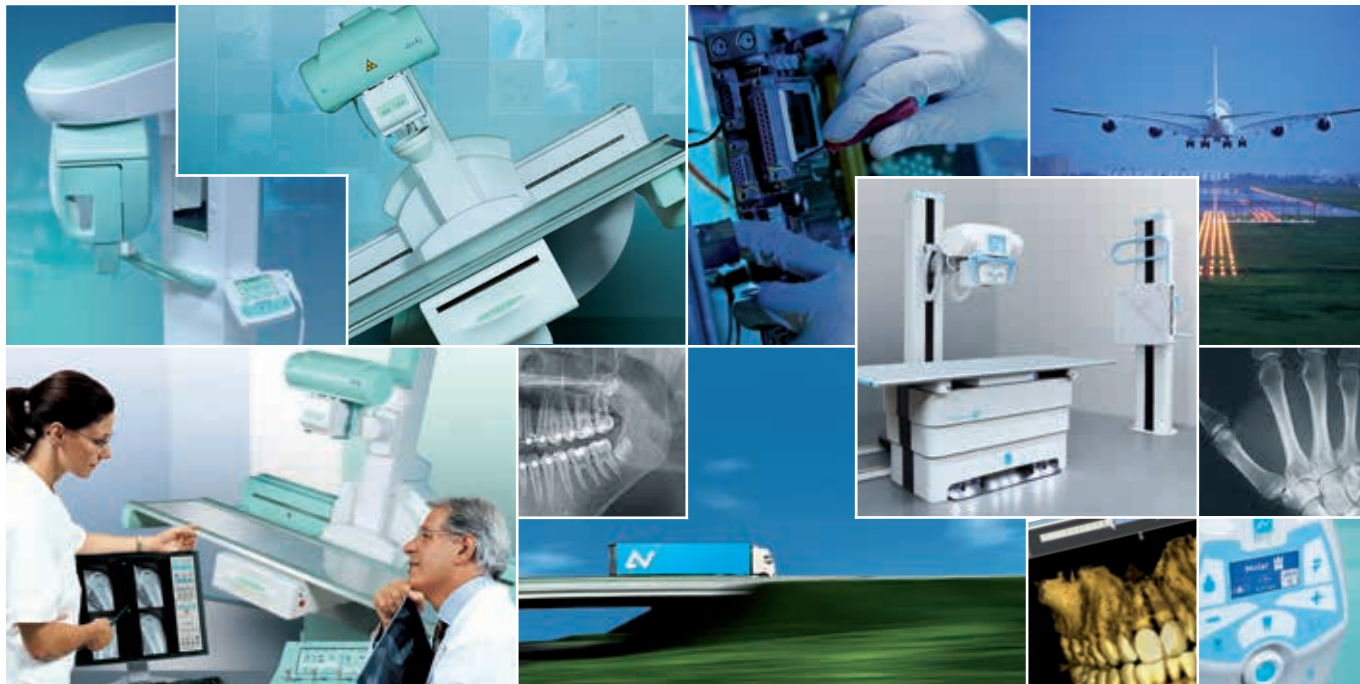
<b>Total reach (B)</b>	Extension arm A = 30cm (11-13/16") 786mm (30-61/64") Extension arm A = 60cm (23-5/8") 1086mm (42-49/64") Extension arm A = 80cm (31-1/2") 1286mm (50-41/64")
<b>Total inside reach (C)</b>	Extension arm A = 30cm (11-13/16") 1430mm (56-5/16") Extension arm A = 60cm (23-5/8") 1730mm (68-1/8") Extension arm A = 80cm (31-1/2") 1930mm (76")
<b>Suggested height (D) = 1450mm (57")</b>	





**VILLA**  
SISTEMI  
MEDICALI

**Villa Sistemi Medicali**  
long-standing experience at the service of our customers



### Competence in x-ray systems

Villa Sistemi Medicali is one of the most important manufacturers of radiological systems worldwide. Leveraging more than 50 years of experience in X-ray field, the company's know-how covers all technologies which can create a modern radiographic examination room.

### A wide range of equipment

- Our range of products include:
- Digital X-Ray systems
  - Remote controlled tables
  - Classical tilting tables
  - General rad room
  - Mobile units
  - Surgical C arms
  - Mammography
  - Dental units: intra-oral, panoramic and 3D.

### Our priority: Technical Service

A wide network of highly skilled service engineers ensures effective and reliable maintenance of all Villa Sistemi Medicali equipment installed worldwide. Preventive maintenance programs and service contracts are defined by our qualified personnel and adapted to the needs of our customers.

### Logistic services: a global presence

Villa Sistemi Medicali daily provides full systems, spare parts, accessories and consumables, shipped regularly to all our customers, world-wide, using the most efficient courriers. Shipment modalities include ground, ship, air and inter-modal freight transport.



Villa Sistemi Medicali Spa  
20090 Buccinasco (Mi) Italy  
Via delle Azalee, 3  
Tel. +39 02 48859.1  
Fax +39 02 4881.844  
www.villasm.com  
vsminfo@villasm.com

Villa Radiology Systems  
91 Willenbrock Rd. B-1  
Oxford, CT 06478 - USA  
Tel. +1 203 262 8836  
www.villaus.com



Products are continuously under review in the light of technical advancement; the actual specifications may therefore be subject to improvement or modification without notice. Some features and/or accessories displayed and described could be optional on different markets. X-ray images published in the present document are shown exclusively for demo purposes, are representative of the possible applications and might have been taken using other systems. All rights reserved. - Printed in Italy - 02/14